



- ① ROUND NOZZLE 25 for Manual Sprayers, 1 Nozzle spraying pattern
- ② ROUND NOZZLE 25 for Power Sprayers, P-2 Nozzles
- ③ ROUND NOZZLE for Powered Backpack Sprayer, 2 Nozzles

**ROUND NOZZLE 25 for Manual Sprayers**  
(for spraying 25 liters)

<Drift-reducing>



Nozzle #	N-KAL-9SB	N-KAL-055SB
Average Drop Size (µm)	660(0.2MPa)	750(0.7MPa)
Pressure Range (MPa)	0.1-0.3	0.5-1.0
Maximum Spray Reach	approx. 2m	approx. 2m



**Features** Produces an air-assisted, 110° flat fan. Minimal drift. A special feature of this nozzle is its capability of spraying small amounts (25 liters per 1000m<sup>2</sup>). Chemicals will turn white as it attaches onto target, so operator can see and ensure that all areas which needs spraying has been covered.

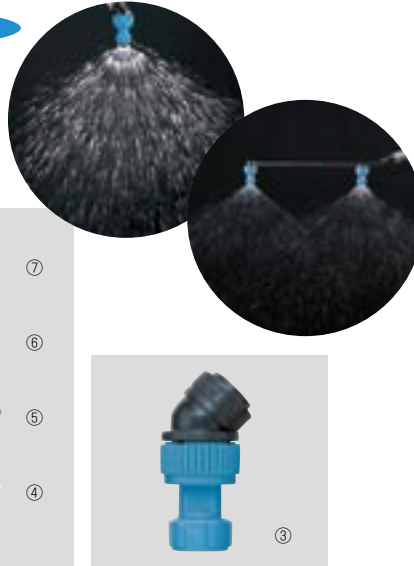
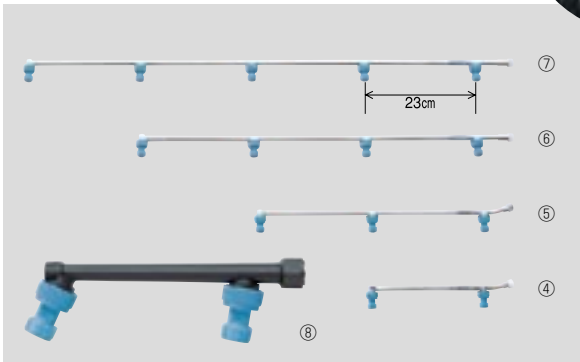
Item	ROUND NOZZLE 25	
	for Manual Sprayers, 1 Nozzle	for Manual Sprayers (with a cover)
Nozzle #	N-KAL-9SB	N-KAL-9SB
Coverage	approx. 80cm	approx. 28cm
Maximum Spray Reach	approx. 2 m	approx. 2 m
Flow Rate	L/min	L/min
Press	0.2 MPa	0.51 l/min
	0.3 MPa	0.62 l/min
Length/Weight	5.8cm, 17g	32cmLx13cmWx15cmH, 120g
Adapter	G1/4	G1/4

\* Coverage as of 30 cm from nozzle head and 10 cm (in case of cover).

No.	Code No.	Item	Min. Unit	Use
1	15 17 10	ROUND NOZZLE 25 for Manual Sprayers, 1 Nozzle (G1/4)	100	For weed killer "Roundup High Load"
2	15 17 22	ROUND NOZZLE 25 for Manual Sprayers (with a cover), 1 Nozzle (G1/4)	10	For weed killer "Roundup High Load"

**ROUND NOZZLE 25 for Power Sprayers**  
(for spraying 25 liters)

<Drift-reducing>



Item	ROUND NOZZLE 25 for Power Sprayer						
	1 Nozzle	2 Nozzles	3 Nozzles	4 Nozzles	5 Nozzles	with a cover	P-2 Nozzles
Nozzle #	N-KA-055SB	N-KA-055SB	N-KA-055SB	N-KA-055SB	N-KA-055SB	N-KA-055SB	N-KA-055SB
Coverage	approx. 80cm	approx. 103cm	approx. 126cm	approx. 149cm	approx. 172cm	approx. 28cm	approx. 100cm
Maximum Spray Reach	approx. 2 m	approx. 2 m	approx. 2 m	approx. 2 m	approx. 2 m	approx. 2 m	approx. 2 m
Flow Rate	L/min	L/min	L/min	L/min	L/min	L/min	L/min
Press	0.7 MPa	0.36 l/min	0.72 l/min	1.08 l/min	1.44 l/min	1.80 l/min	0.36 l/min
	1.0 MPa	0.43 l/min	0.86 l/min	1.29 l/min	1.72 l/min	2.15 l/min	0.43 l/min
Length/Weight	5.8cm, 17g	31cm, 100g	54cm, 160g	78cm, 250g	101cm, 320g	32cmLx13cmWx15cmH, 120g	18cm, 49g
Adapter	G1/4	G1/4	G1/4	G1/4	G1/4	G1/4	G1/4

\* Coverage as of 30 cm from nozzle head and 10 cm (in case of cover).

No.	Code No.	Item	Min. Unit	Use
3	15 17 35	ROUND NOZZLE 25 for Power Sprayers, 1 Nozzle (G1/4)	100	For weed killer "Roundup High Load"
4	15 17 37	ROUND NOZZLE 25 for Power Sprayers, 2 Nozzles (G1/4)	10	For weed killer "Roundup High Load"
5	15 17 39	ROUND NOZZLE 25 for Power Sprayers, 3 Nozzles (G1/4)	10	For weed killer "Roundup High Load"
6	15 17 41	ROUND NOZZLE 25 for Power Sprayers, 4 Nozzles (G1/4)	10	For weed killer "Roundup High Load"
7	15 17 43	ROUND NOZZLE 25 for Power Sprayers, 5 Nozzles (G1/4)	10	For weed killer "Roundup High Load"
	15 17 45	ROUND NOZZLE 25 for Power Sprayers, 6 Nozzles (G1/4)	10	For weed killer "Roundup High Load"
	15 17 23	ROUND NOZZLE 25 for Power Sprayers (with cover) (G1/4)	10	For weed killer "Roundup High Load"
8	15 17 36	ROUND NOZZLE 25 for Power Sprayers, P-2 Nozzles (G1/4)	50	For weed killer "Roundup High Load"

Please refer to page 60 for more herbicide nozzles.

**ROUND NOZZLE 50 for Manual Sprayers**  
(for spraying up to 50 liters)

<Drift-reducing>

Nozzle #	N-KAL-11SY	N-KA-6SY
Average Drop Size (μm)	590(0.2MPa)	750(0.7MPa)
Pressure Range (MPa)	0.1-0.3	0.5-1.0
Maximum Spray Reach	approx. 2m	approx. 3m



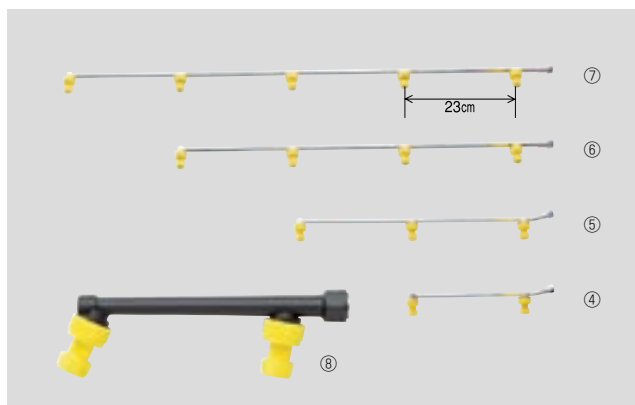
Item	ROUND NOZZLE 50	
	for Manual Sprayers, 1 Nozzle	for Manual Sprayers (with cover)
Nozzle #	N-KAL-11SY	N-KAL-11SY
Coverage	approx. 80cm	approx. 28cm
Maximum Spray Reach	approx. 2 m	approx. 2 m
Flow Rate	L/min	L/min
Press	0.2 MPa	0.76 l/min
	0.25 MPa	0.93 l/min
Length/Weight	5.8cm, 17g	32cmLx13cmWx15cmH, 120g
Adapter	G1/4	G1/4

\* Coverage as of 30 cm from nozzle head and 10 cm (in case of cover).

No.	Code No.	Item	Min. Unit	Use
1	15 22 10	ROUND NOZZLE 50 for Manual Sprayers, 1 Nozzle (G1/4)	100	For weed killer "Roundup High Load" (Item made on demand)
2	15 22 26	ROUND NOZZLE 50 for Manual Sprayers (with a cover), 1 Nozzle (G1/4)	10	For weed killer "Roundup High Load" (Item made on demand)

**ROUND NOZZLE 50 for Power Sprayers**  
(for spraying up to 50 liters)

<Drift-reducing>



Item	ROUND NOZZLE 50 for Power Sprayer						
	1 Nozzle	2 Nozzles	3 Nozzles	4 Nozzles	5 Nozzles	with a cover	P-2 Nozzles
Nozzle #	N-KA-6SY	N-KA-6SY	N-KA-6SY	N-KA-6SY	N-KA-6SY	N-KA-6SY	N-KA-6SY
Coverage	approx. 80cm	approx. 103cm	approx. 126cm	approx. 149cm	approx. 172cm	approx. 28cm	approx. 100cm
Maximum Spray Reach	approx. 3 m	approx. 3 m	approx. 3 m	approx. 3 m	approx. 3 m	approx. 3 m	approx. 3 m
Flow Rate	L/min	L/min	L/min	L/min	L/min	L/min	L/min
Press	0.7 MPa	0.42 l/min	0.84 l/min	1.26 l/min	1.68 l/min	2.10 l/min	0.42 l/min
	1.0 MPa	0.51 l/min	1.02 l/min	1.53 l/min	2.04 l/min	2.55 l/min	0.51 l/min
Length/Weight	5.8cm, 17g	31cm, 100g	54cm, 160g	78cm, 250g	101cm, 320g	32cmLx13cmWx15cmH, 120g	18cm, 49g
Adapter	G1/4	G1/4	G1/4	G1/4	G1/4	G1/4	G1/4

\* Coverage as of 30 cm from nozzle head and 10 cm (in case of cover).

No.	Code No.	Item	Min. Unit	Use
3	15 22 30	ROUND NOZZLE 50 for Power Sprayers, 1 Nozzle (G1/4)	100	For weed killer "Roundup High Load" (Item made on demand)
4	15 22 32	ROUND NOZZLE 50 for Power Sprayers, 2 Nozzles (G1/4)	10	For weed killer "Roundup High Load" (Item made on demand)
5	15 22 34	ROUND NOZZLE 50 for Power Sprayers, 3 Nozzles (G1/4)	10	For weed killer "Roundup High Load" (Item made on demand)
6	15 22 36	ROUND NOZZLE 50 for Power Sprayers, 4 Nozzles (G1/4)	10	For weed killer "Roundup High Load" (Item made on demand)
7	15 22 38	ROUND NOZZLE 50 for Power Sprayers, 5 Nozzles (G1/4)	10	For weed killer "Roundup High Load" (Item made on demand)
	15 22 40	ROUND NOZZLE 50 for Power Sprayers, 6 Nozzles (G1/4)	10	For weed killer "Roundup High Load" (Item made on demand)
	15 22 27	ROUND NOZZLE 50 for Power Sprayers (with cover) (G1/4)	10	For weed killer "Roundup High Load" (Item made on demand)
8	15 22 31	ROUND NOZZLE 50 for Power Sprayers, P-2 Nozzles (G1/4)	50	For weed killer "Roundup High Load" (Item made on demand)

Please refer to page 60 for more herbicide nozzles.

ROUND NOZZLE 100 for Manual Sprayers  
(spraying up to 100 liters)

<Drift-reducing>

Nozzle #	N-KAL-13G	N-KA-8G
Average Drop Size (µm)	750(0.2 MPa)	630(0.7 MPa)
Pressure Range (MPa)	0.1-0.3	0.5-1.0
Maximum Spray Reach	approx. 2m	approx. 3m



Item	ROUND NOZZLE 100	
	for Manual Sprayers, 1 Nozzle	cover
Nozzle #	N-KAL-13G	N-KAL-13G
Coverage	approx. 80cm	approx. 28cm
Maximum Spray Reach	approx. 2 m	approx. 2 m
Flow Rate	L/min	L/min
Press	0.2 MPa	1.06 l/min
	0.3 MPa	1.30 l/min
Length/Weight	5.8cm, 17g	32cmLx13cmWx15cmH, 120g
	Adapter	G1/4

\* Coverage as of 30 cm from nozzle head and 10 cm (in case of cover).

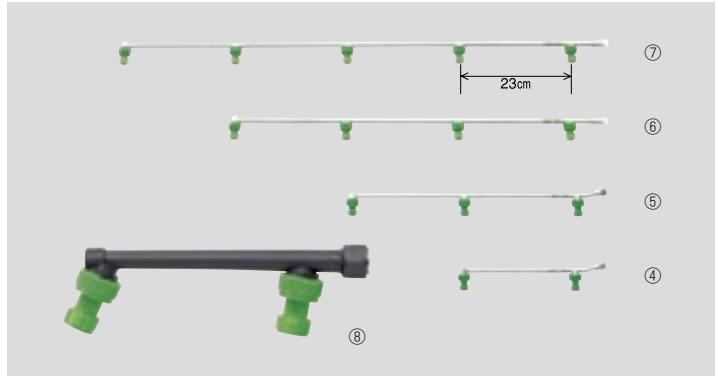
Ideal for spraying onto small areas. For manual sprayers.

Ideal for applying herbicides on or between wedges. Comes with a cover, which minimizes drift and prevents contamination of crops.

No.	Code No.	Item	Min. Unit	Use
1	15 23 10	ROUND NOZZLE 100 for Manual Sprayers, 1 Nozzle (G1/4)	100	For weed killer "Roundup High Load"
2	15 23 26	ROUND NOZZLE 100 for Manual Sprayers (with cover), 1 Nozzle (G1/4)	10	For weed killer "Roundup High Load"

ROUND NOZZLE 100 for Power Sprayers  
(spraying up to 100 liters)

<Drift-reducing>



Item	ROUND NOZZLE 100 for Power Sprayer							
	1 Nozzle	2 Nozzles	3 Nozzles	4 Nozzles	5 Nozzles	with a cover	P-2 Nozzles	
Nozzle #	N-KA-8G	N-KA-8G	N-KA-8G	N-KA-8G	N-KA-8G	N-KA-8G	N-KA-8G	
Coverage	approx. 80cm	approx. 103cm	approx. 126cm	approx. 149cm	approx. 172cm	approx. 28cm	approx. 100cm	
Maximum Spray Reach	approx. 3 m	approx. 3 m	approx. 3 m	approx. 3 m	approx. 3 m	approx. 3 m	approx. 3 m	
Flow Rate	L/min	L/min	L/min	L/min	L/min	L/min	L/min	
Press	0.7 MPa	0.75 l/min	1.50 l/min	2.25 l/min	3.00 l/min	3.75 l/min	0.75 l/min	
	1.0 MPa	0.90 l/min	1.80 l/min	2.70 l/min	3.60 l/min	4.50 l/min	0.9 l/min	
Length/Weight	5.8cm, 17g	31cm, 100g	54cm, 160g	78cm, 250g	101cm, 320g	32cmLx13cmWx15cmH, 120g	18cm, 49g	
Adapter	G1/4	G1/4	G1/4	G1/4	G1/4	G1/4	G1/4	

\* Coverage as of 30 cm from nozzle head and 10 cm (in case of cover).

No.	Code No.	Item	Min. Unit	Use
3	15 23 30	ROUND NOZZLE 100 for Power Sprayers, 1 Nozzle (G1/4)	100	For weed killer "Roundup High Load"
4	15 23 32	ROUND NOZZLE 100 for Power Sprayers, 2 Nozzles (G1/4)	10	For weed killer "Roundup High Load"
5	15 23 34	ROUND NOZZLE 100 for Power Sprayers, 3 Nozzles (G1/4)	10	For weed killer "Roundup High Load"
6	15 23 36	ROUND NOZZLE 100 for Power Sprayers, 4 Nozzles (G1/4)	10	For weed killer "Roundup High Load"
7	15 23 38	ROUND NOZZLE 100 for Power Sprayers, 5 Nozzles (G1/4)	10	For weed killer "Roundup High Load"
	15 23 40	ROUND NOZZLE 100 for Power Sprayers, 6 Nozzles (G1/4)	10	For weed killer "Roundup High Load"
	15 23 27	ROUND NOZZLE 100 for Power Sprayers (with cover) (G1/4)	10	For weed killer "Roundup High Load"
8	15 23 31	ROUND NOZZLE 100 for Power Sprayers, P-2 Nozzles (G1/4)	50	For weed killer "Roundup High Load"

Please refer to page 60 for more herbicide nozzles.

**ROUND NOZZLE for Powered Backpack Sprayer, 2 Nozzles**

<Drift-reducing>

**Features** Designed for use on a powered backpack sprayer. Produces an air-assisted, 110° flat fan. Minimal drift, capable of spraying small amounts. Chemicals will turn white as it attaches onto target, so operator can see and ensure that all areas which needs spraying has been covered.

Nozzle #	N-KA-7G	N-KA-055SB
Average Drop Size (µm)	700(0.7 MPa)	750(0.7MPa)
Pressure Range (MPa)	0.5-1.0	0.5-1.0
Maximum Spray Reach	approx. 2m	approx. 2m



Item	for Powered Backpack Sprayer, 2 Nozzles	for Powered Backpack Sprayer (25 Type), 2 Nozzles
Nozzle #	N-KA-7G	N-KA-055SB
Coverage	approx. 120cm	approx. 120cm
Maximum Spray Reach	approx. 2 m	approx. 2 m
Flow Rate	L/min	L/min
Press	0.7 MPa	0.72 l/min
	1.0 MPa	1.36 l/min
Length/Weight	9cm, 30g	9cm, 30g
Adapter	G1/4	G1/4

\* Coverage as of 30 cm from nozzle head

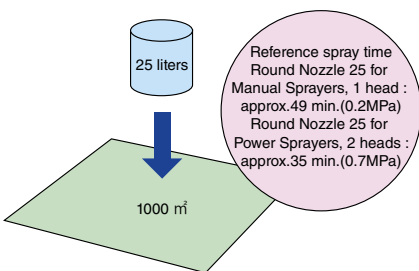
No.	Code No.	Item	Min. Unit	Use
1	45 11 30	ROUND NOZZLE for Powered Backpack Sprayer, 2 Nozzles (G1/4)	100	For weed killer "Roundup High Load"
2	45 11 60	ROUND NOZZLE for Powered Backpack Sprayer (25 Type), 2 Nozzles (G1/4)	100	For weed killer "Roundup High Load"

**What is the difference between Round Nozzle 25, 50, and 100?**

25, 50, and 100 indicate the volume (in liters) which the nozzle is designed to spray. For example, "25" means that 25 liters of liquid can be sprayed over 10 ares(1000m<sup>2</sup>) of field to successfully eliminate weeds.

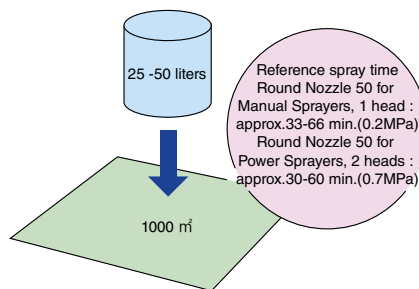
**Round Nozzle 25**

small amount of spraying  
(25 liters per 1000 m<sup>2</sup>) possible



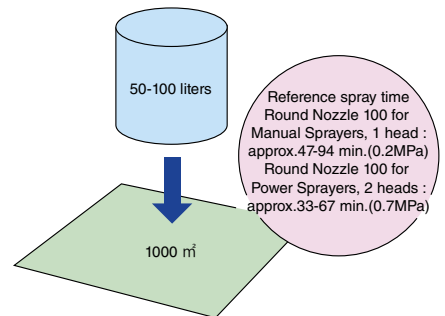
**Round Nozzle 50**

small amount of spraying  
(25-50 liters per 1000 m<sup>2</sup>) possible



**Round Nozzle 100**

normal amount of spraying  
(50-100 liters per 1000 m<sup>2</sup>) possible



Please note that the spraying volume needed is subject to a number of conditions, including geographical conditions, growth of weeds and spraying method.